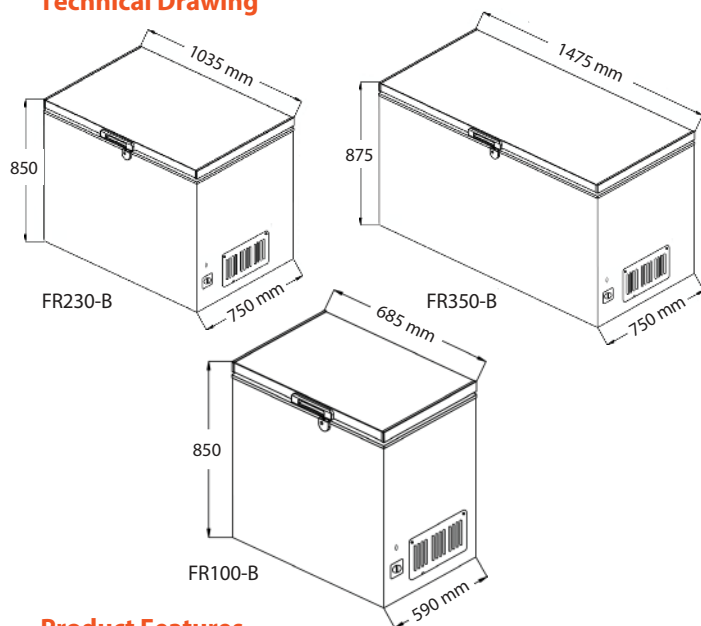


FR-B Series (100/230/350 L)

DC Chest Refrigerator/Freezer with BOOST Feature



Technical Drawing



Product Features

- New Feature: BOOST switch for faster cooling
- Works as a refrigerator or freezer with adjustable thermostat
- Does not require an inverter
- Intuitive setup including simple 2-wire DC connection
- High-efficiency cooling
- Environmentally-friendly R600a refrigerant
- Hanging basket(s) included for better space utilization
- Lockable lid

Product Introduction

The Phocos FR-B Series DC chest refrigerator/freezer with BOOST feature offers the most flexible solution for off-grid and edge-of-grid refrigeration in the market today. The unique BOOST feature provides the ability to choose between best cooling performance and highest efficiency to serve a variety of uses. In the field, all models can be used with 12 V or 24 V batteries, and can operate as a refrigerator or freezer by simply adjusting the thermostat.

The FR-B Series has been designed to maximize reliability by utilizing a maintenance-free brushless DC compressor for direct connection to a battery and long-lasting mechanical thermostat. An aluminum inner-lining and drain plug allow for easy clean up. FR-B refrigerator/freezers are also internally protected against low voltage and reverse polarity conditions.

Technical Data

| Type | FR100-B | FR230-B | FR350-B |
|---|--|--|--|
| System Voltage (Nominal) | 12 / 24 V auto recognition | | |
| Internal Operating Temperature Range | -18 to +8 °C / -0.4 to +46.4 °F | | |
| Energy Consumption at 21°C / 70°F Ambient Temperature (in Default ECO Mode) | 82 Wh / day (Fridge: 4 °C / 38 °F) 433 Wh / day (Freezer: -18 °C / 0 °F) | 178 Wh / day (Fridge: 4 °C / 38 °F) 609 Wh / day (Freezer: -18 °C / 0 °F) | 202 Wh / day (Fridge: 4 °C / 38 °F) 679 Wh / day (Freezer: -18 °C / 0 °F) |
| Energy Consumption at 32°C / 90°F Ambient Temperature (in Default ECO Mode) | 174 Wh / day (Fridge: 4 °C / 38 °F) 561 Wh / day (Freezer: -18 °C / 0 °F) | 193 Wh / day (Fridge: 4 °C / 38 °F) 899 Wh / day (Freezer: -18 °C / 0 °F) | 228 Wh / day (Fridge: 4 °C / 38 °F) 981 Wh / day (Freezer: -18 °C / 0 °F) |
| Power consumption at 12 Vdc* | 36 W ECO / 44 W BOOST | 69 W ECO / 78 W BOOST | 68 W ECO / 81 W BOOST |
| Content (Net Capacity) | 104 L / 3.6 cu. ft | 238 L / 8.4 cu. ft | 358 L / 12.6 cu. ft |
| Refrigerant | Environmentally-Friendly R600a | | |
| Ambient Temperature | +10 to +43 °C / +50 to +104 °F | | |
| Door Type | Top-Opening with integrated handle and lock | | |
| Storage Baskets | 1 Basket | 2 Baskets | 3 Baskets |
| Boost Switch | Standard on all models - accelerates cooling when activated | | |
| Cabinet Dimensions (WxHxD) | 685 x 850 x 590 mm / 27 x 33.5 x 23.2 in | 1035 x 850 x 750 mm / 40.8 x 33.5 x 29.5 in | 1475 x 875 x 750 mm / 58.1 x 34.5 x 29.5 in |
| Inner Dimensions (WxHxD) | 505 x 640 x 375 mm / 19.9 x 25.2 x 14.8 in Excludes compressor recess of 190 x 210 x 375 mm / 7.5 x 8.3 x 14.8 in | 856 x 628 x 498 mm / 33.7 x 24.7 x 19.6 in Excludes compressor recess of 230 x 250 x 496 mm / 9.1 x 9.8 x 19.5 in | 1290 x 619 x 498 mm / 50.8 x 24.4 x 19.6 in Excludes compressor recess of 300 x 240 x 498 mm / 11.8 x 9.4 x 19.6 in |
| Weight | 23 kg / 50.7 lbs | 50 kg / 110.2 lbs | 65 kg / 143.3 lbs |
| Container Loading (20' / 40' GP / 40' HC) | 54 pcs. / 108 pcs. / 170 pcs. | 30 pcs. / 60 pcs. / 98 pcs. | 20 pcs. / 42 pcs. / 66 pcs. |
| Certificates | CE compliant, RoHS compliant | | |
| Warranty | 2 years | | |

* Max. surge for compressor start-up 15 A / 8 A for 12 / 24 V, respectively. All surge durations below 0.2 s.